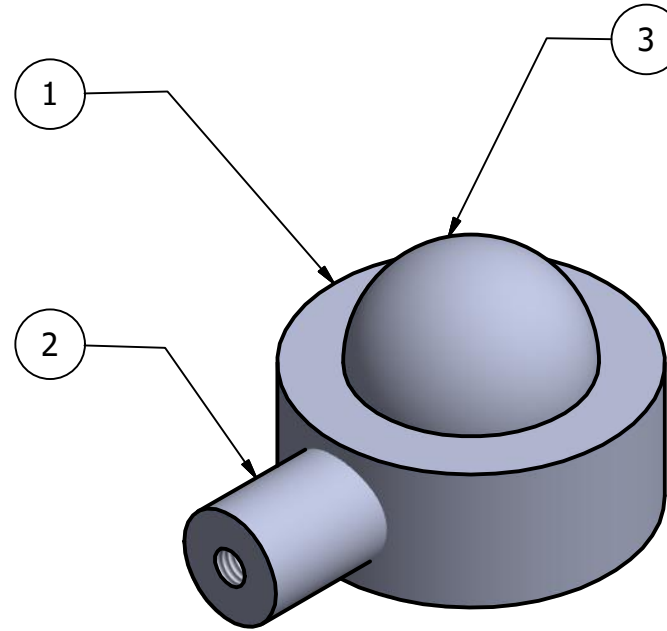
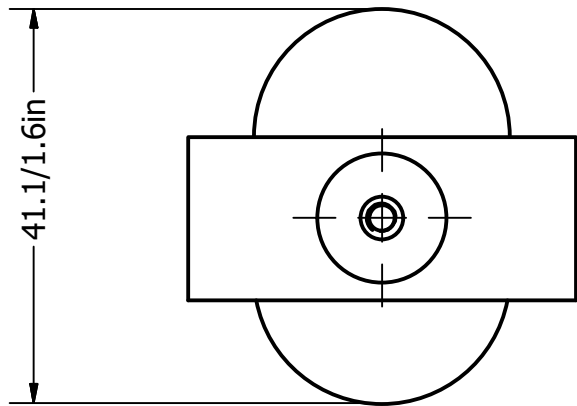
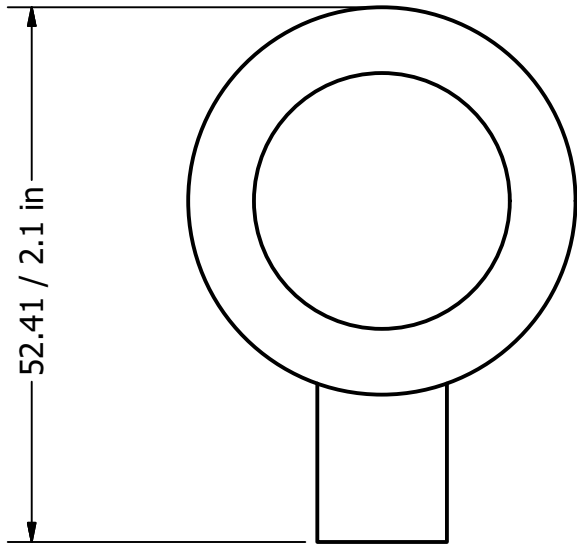


2

1

PARTS LIST			
ITEM	QTY	PART NUMBER	DESCRIPTION
1	1	RGSMT	HUB
2	2	PSRD8-12	BASE TUBE
3	2	CAHR-1	CAP



UNLESS OTHERWISE SPECIFIED	
.X	± .3mm
.XX	± .15mm
.XXX	± .008mm

APPROVED FOR PRODUCTION
 By: RICHARD PAUL
 Date: 6-2-2021

DRAWN	5-29-21	IM	MATERIAL:	BRASS	FINISH	TBD
CHECKED	5-29-21	P.D.	DESCRIPTION:		QTY	TBD
APPROVED	5-29-21	R.A.	1-1/2 Inch Cabinet Knob		DRAWING NO.	
THIRD ANGLE PROJECTION						
					102A	
					SCALE	1.5:1 SHEET: 1 OF 1
						0

2

1